

BlackVel Solutions Pte Ltd

BULK BAGS

The background features a complex, abstract design. It consists of a dense network of thin, light gray lines that intersect to form a web-like pattern. Two prominent wireframe spheres are positioned in the lower half of the frame. The larger sphere is on the left, and the smaller one is on the right. The lines of these spheres are more densely packed than the background lines, creating a three-dimensional effect.

INTRODUCTION



Bulk Bag or Flexible Intermediate Bulk Container (FIBC)

is an efficient and economical way of packing powdered or granular bulk material for decades. Its capacity range from 500Kg to 2,000Kg and comes in various shapes and sizes.

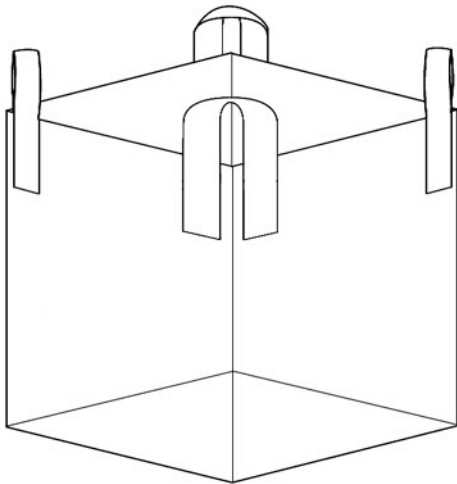
Raw Material

At BlackVel, we use high quality of 100% virgin polypropylene (PP) to manufacture our Bulk Bag. This high standard of raw material enable our bag to maximise its outstanding performance and endurance.

BLACKVEL BULK BAGS - Standard Design

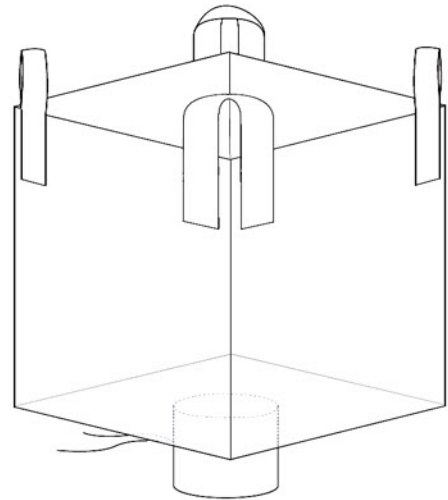
BlackVel carries Standard Bulk Bag design for our clients.
 These Bulk Bags are available ex-stock and easily used by novice users.

OC4C



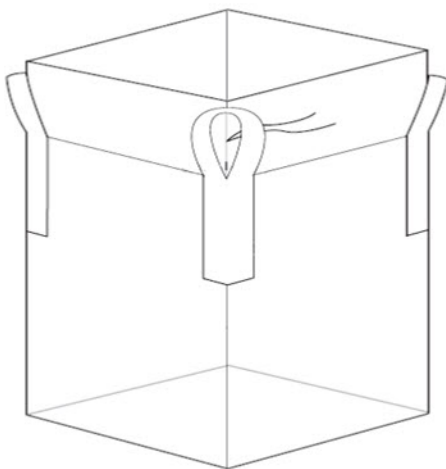
Type	: Top Open Bottom Closed
Size	: 90cm(W) x 90cm x 100cm
SWL	: 1,000KG

OC4S



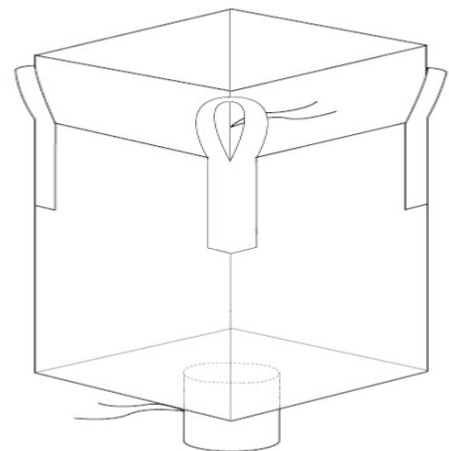
Type	: Top Open Bottom Spout
Size	: 90cm(W) x 90cm x 100cm
SWL	: 1,000KG

DS4C



Type	: Top Duffle Bottom Closed
Size	: 90cm(W) x 90cm x 100cm
SWL	: 1,000KG

DS4S



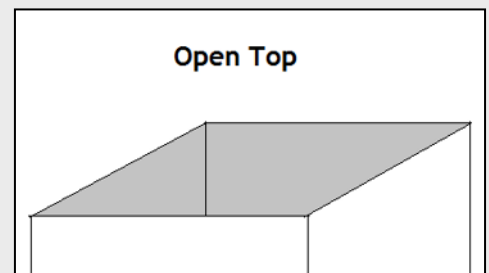
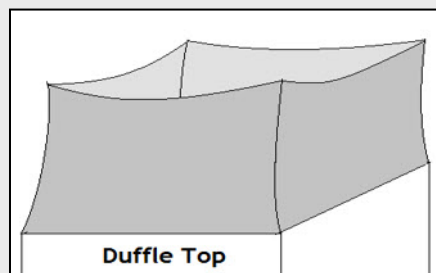
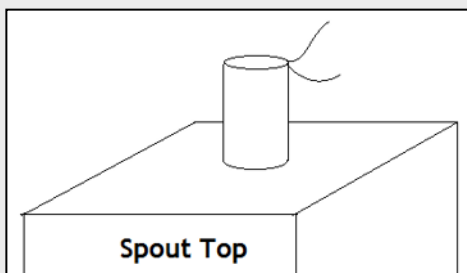
Type	: Top Duffle Bottom Closed
Size	: 90cm(W) x 90cm x 100cm 95cm(W) x 95cm x 138cm
SWL	: 1,000KG, 2,000KG

BUILD YOUR OWN BULK BAG

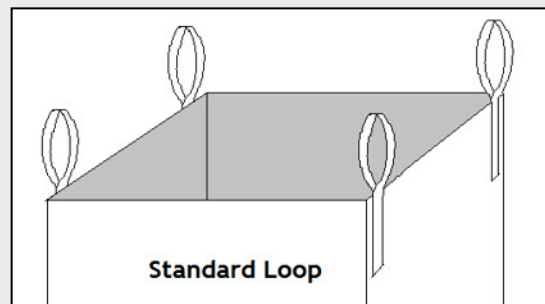
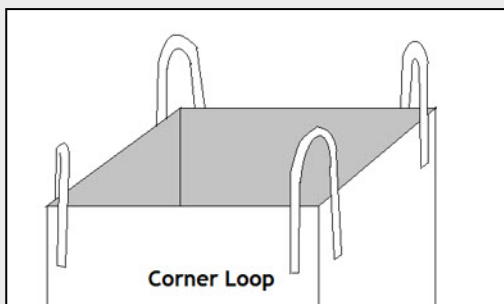
Customised Services

As different customers use the Bulk Bag to pack products of different density and capacity, we have a customised service “Build-your-own-Bulk Bag” to cater for individual request. We will work with you, step-by-step, to bring your ideas into reality.

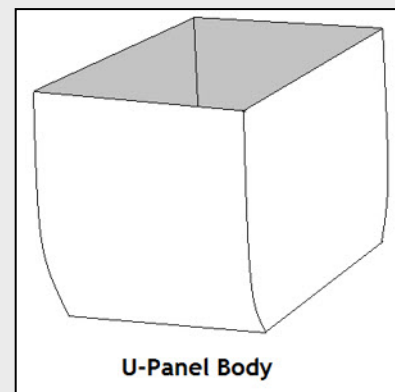
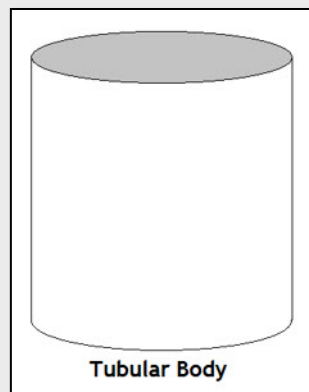
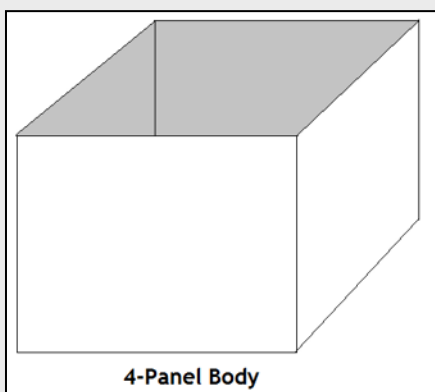
Top



Loop

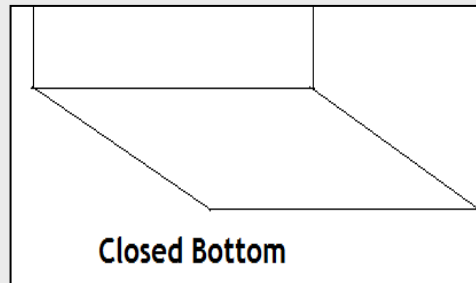
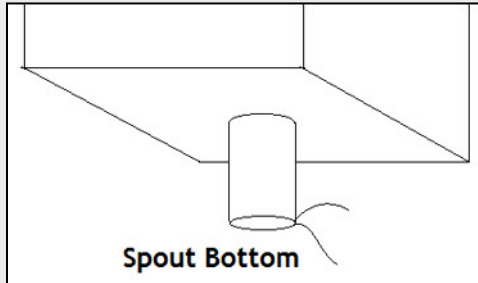


Body

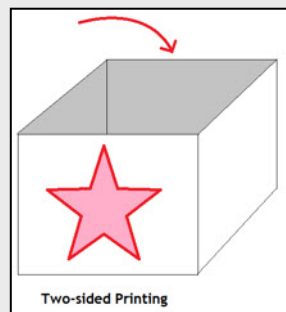
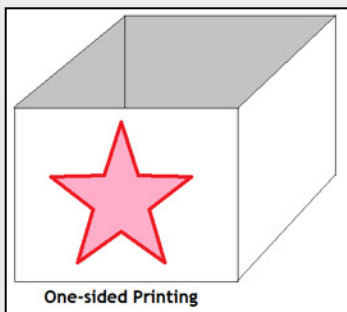


BUILD YOUR OWN BULK BAG

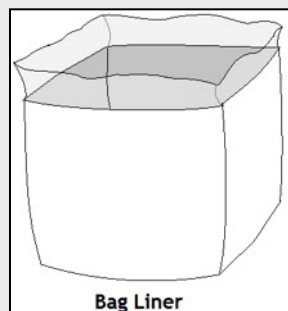
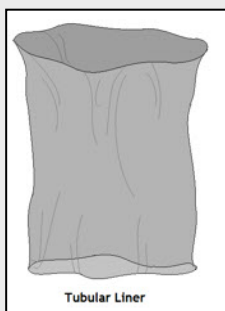
Bottom



Printing



Liner



Our Commitment

We are committed to provide valuable support to our client from beginning to the end. Through re-designing and re-inventing our Bulk bag, we are here to revolutionize its usage and create a bag that carries your vision.